



**BAND-IT-IDEX, INC.**

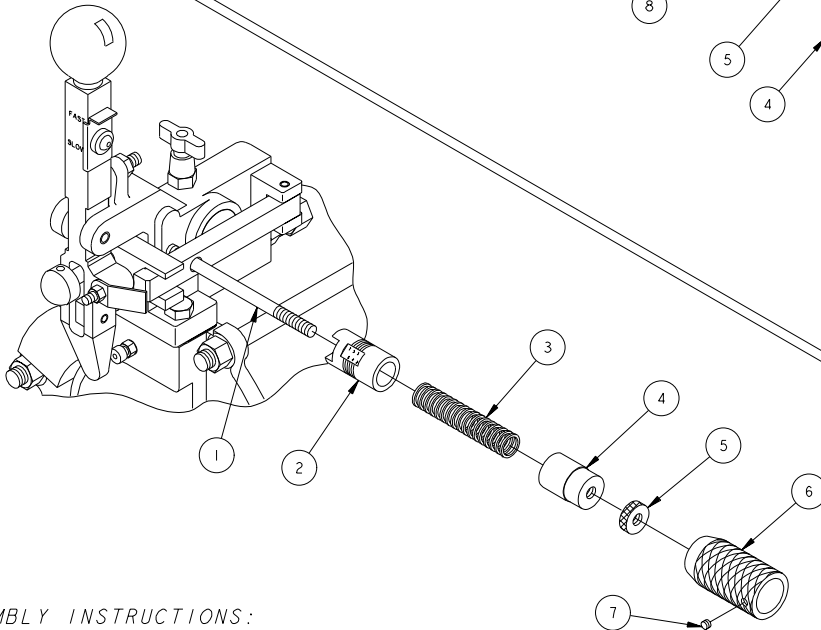
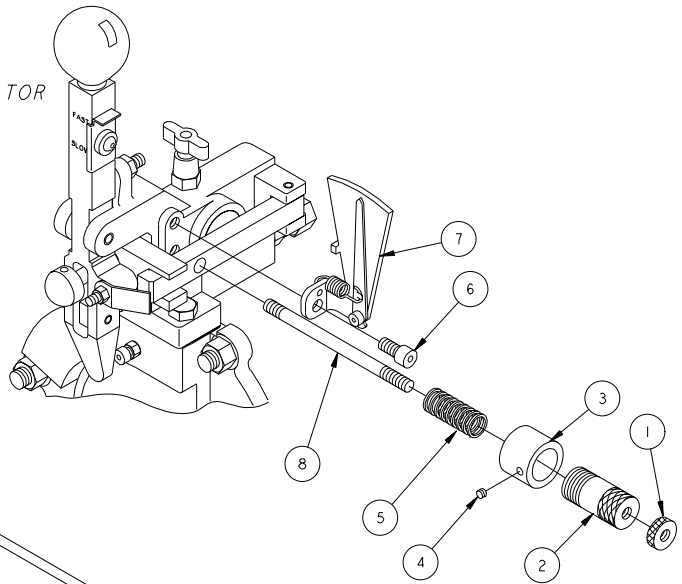
A Unit of IDEX Corporation  
P.O. Box 16307  
Denver, Colorado 80216-0307 USA  
1-800-525-0758  
info@band-it-idex.com / www.band-it-idex.com

PRESSURE INDICATOR KIT  
S100 AIR TOOL  
CATALOG NUMBER S238

P97587

*DISCONTINUED PRESSURE INDICATOR  
DISASSEMBLY INSTRUCTIONS:*

DISASSEMBLE ITEMS ① ② ③ ④ ⑤ FROM  
POST ⑧.  
UNSCREW ITEM ⑥ AND REMOVE ITEM ⑦.  
UNSCREW ITEM ⑧ FROM VALVE HEAD.



*ASSEMBLY INSTRUCTIONS:*

PRESSURE INDICATOR KIT HAS BEEN PACKAGED PREASSEMBLED.  
UNSCREW ITEM ⑤ FROM ITEM ① OF PREASSEMBLED KIT.  
PULL OFF ITEMS ② AND ③ FROM ITEM ① (DO NOT SEPARATE THESE ITEMS), PREVENT ANY DIRT OR  
CONTAMINATION FROM STICKING TO LUBRICATED ITEM ③ EXPOSED END.  
UNSCREW ASSEMBLED ITEMS ④, ⑥ AND ⑦ FROM ITEM ①. SCREW SHORT THREADED END INTO VALVE HEAD, BE  
SURE ITEM ① IS WELL SEATED AND ASSEMBLED TIGHT.  
SLIDE ITEMS ② AND ③ ONTO ITEM ①, SCREW PREASSEMBLED ITEMS ④, ⑥ AND ⑦ ONTO THREADED  
PORTION OF ITEM ① LOOSEN ITEM ⑦ AND SLIDE ITEM ⑥ OFF OF ITEM ④.  
FOLLOW CALIBRATION SET-UP AND PROCEDURE AS SHOWN ON PAGE 8 OF S100 AIR TOOL MANUAL (P092) SEE REPAIR  
PARTS LIST OF ALL ITEMS ON PAGE 15 OF SAME MANUAL.