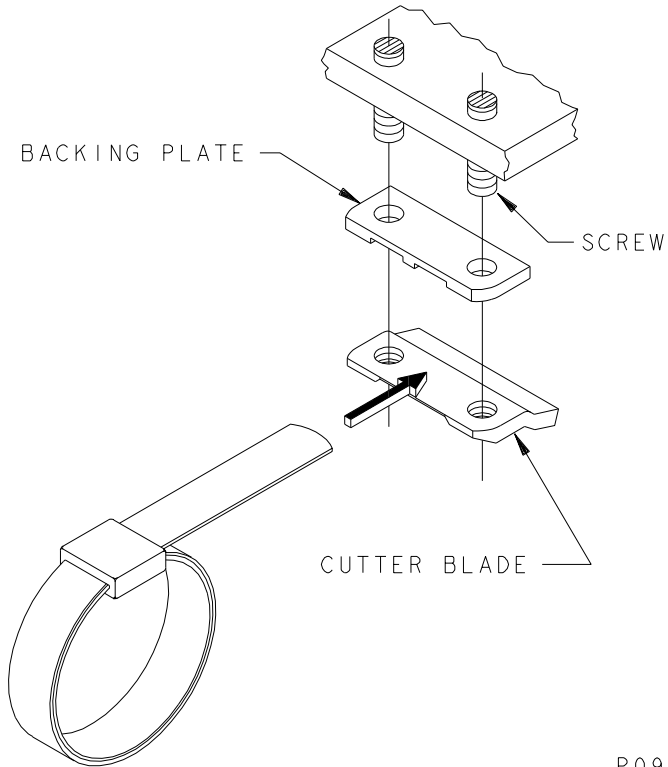


# INSTALLATION INSTRUCTIONS

## CUTTER BLADE AND BACKING PLATE

1. WITH HEX WRENCH, REMOVE SCREWS, OLD CUTTER BLADE AND BACKING PLATE.
2. INSERT SCREWS AND PUT ON NEW BACKING PLATE WITH CURVED CORNERS TOWARD FRONT OF TOOL AND BAND SLOT FACING DOWN.
3. PUT ON NEW CUTTER BLADE WITH CURVED CORNERS TOWARD FRONT OF TOOL AND NOTCHED SIDE DOWN AS SHOWN. TIGHTEN SCREWS TO COMPLETE ASSEMBLY.



P09687



**BAND-IT-IDEX, INC.**

A Unit of IDEX Corporation  
P.O. Box 16307  
Denver, Colorado 80216-0307 USA  
1-188-525-0758  
info@band-it-idex.com  
www.band-it-idex.com