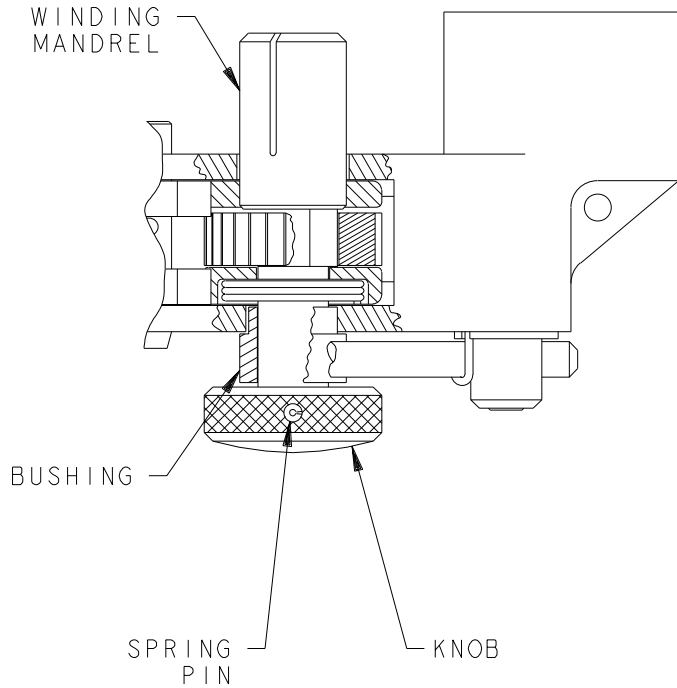


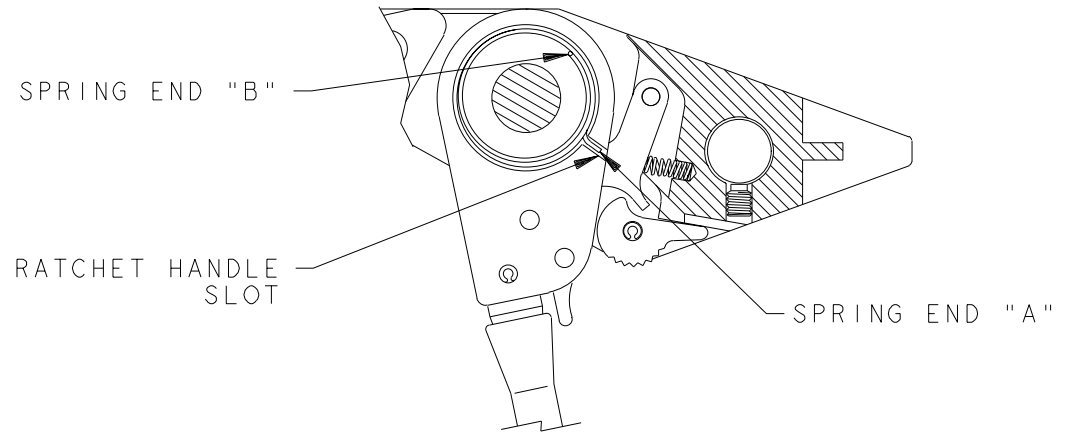
DISASSEMBLY OF C075/C085

REMOVE THE SPRING PIN, KNOB, BUSHING, WINDING MANDREL, RATCHET HANDLE ASSEMBLY, AND RATCHET SPRING FROM TOOL BODY.

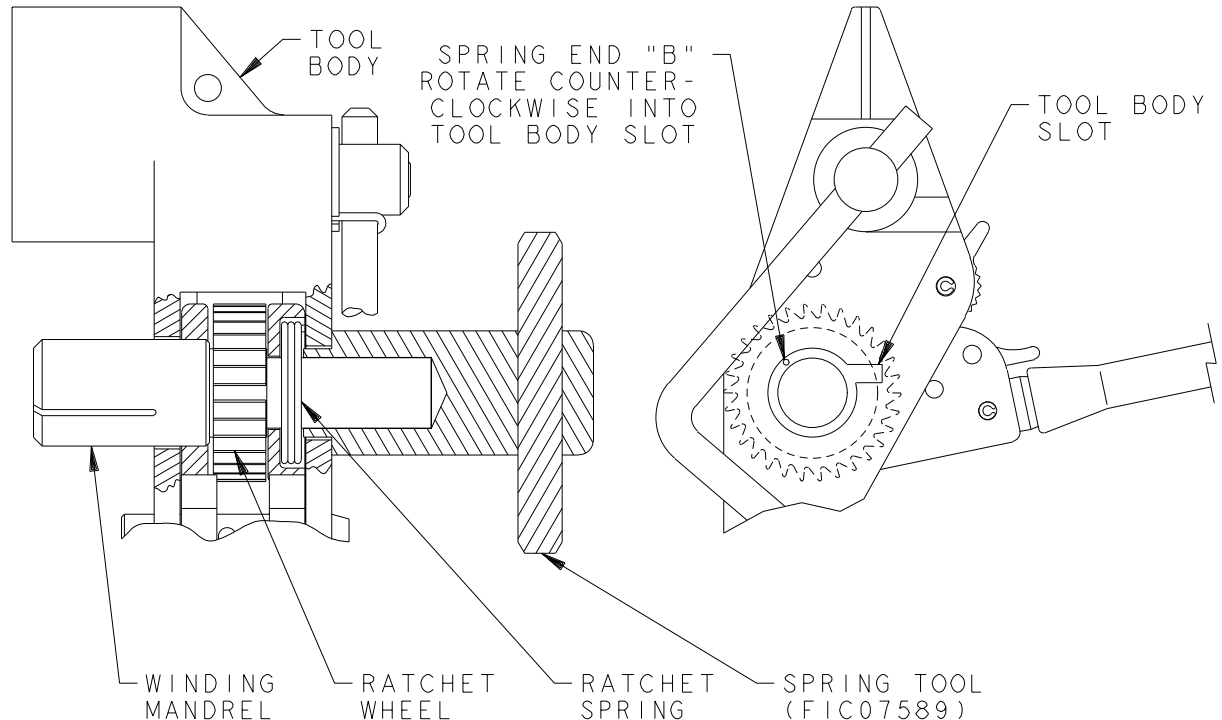


INSTALLATION OF RATCHET SPRING ON C075/C085

ASSEMBLE RATCHET HANDLE WITH SPRING END "A" IN RATCHET HANDLE SLOT. PLACE RATCHET HANDLE, RATCHET WHEEL, SPRING, AND WINDING MANDREL INTO TOOL BODY.



SLIDE SPRING TOOL (BAND-IT # FIC07589) OVER END OF WINDING MANDREL. ENGAGE SLOT OPENING ON END OF SPRING TOOL OVER SPRING END "B". ROTATE SPRING TOOL COUNTER-CLOCKWISE UNTIL SPRING END "B" ENGAGE SLOT IN TOOL BODY. REMOVE SPRING TOOL. ASSEMBLE BUSHING, KNOB, AND SPRING PIN.



A Unit of IDEX Corp
 P.O. Box 16307
 Denver, Colorado 80216-0307 USA
 1-188-525-0758
 info@band-it-idex.com
 www.band-it-idex.com