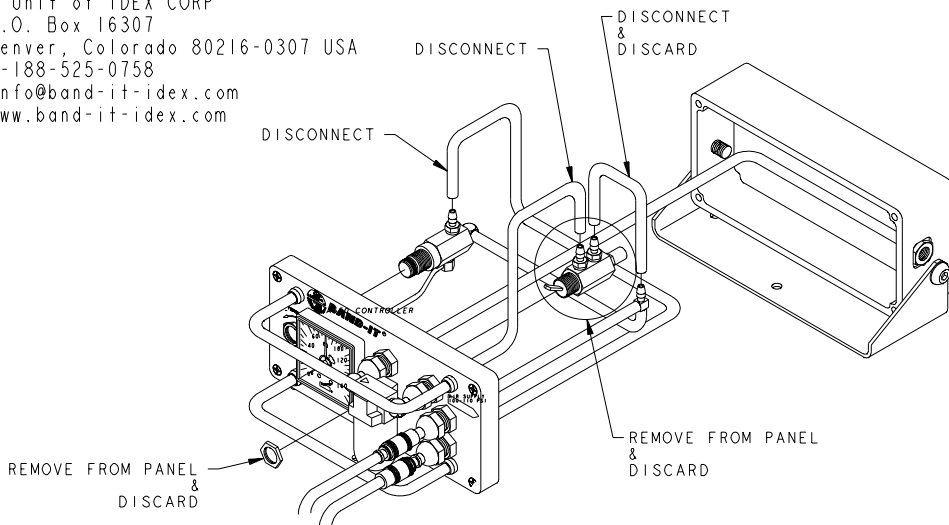


TOGGLE VALVE DIS-ASSEMBLY INSTRUCTIONS (A550 CONTROLLER BOX)

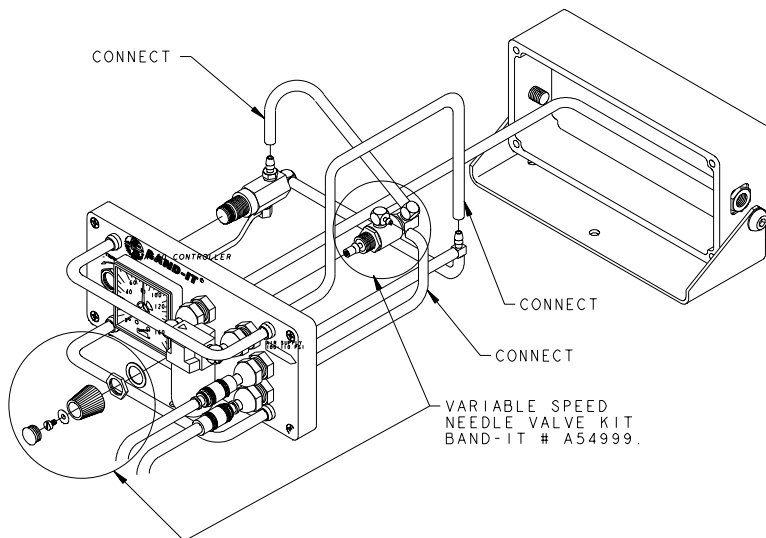
BAND-IT-IDEX, INC
A Unit of IDEX CORP
P.O. Box 16307
Denver, Colorado 80216-0307 USA
1-188-525-0758
info@band-it-idx.com
www.band-it-idx.com



DISCONNECT AND / OR DISCARD WHERE NOTED THEN, GO TO **2**.

1

NEEDLE VALVE ASSEMBLY INSTRUCTIONS (A550 CONTROLLER BOX)



MV: 2 - CPL: 7 - SCL: 1.0

DIS-ASSEMBLE THE CAP ON THE NEEDLE VALVE KIT AND INSERT NEEDLE VALVE INTO PANEL FROM REAR AND RE-ASSEMBLE CAP. CONNECT TUBES WHERE NOTED

2