



BAND-IT®

A Unit of IDEX Corp
P.O. Box 16307
Denver, Colorado 80216-0307 USA
1-188-525-0758
info@band-it-idex.com / www.band-it-idex.com

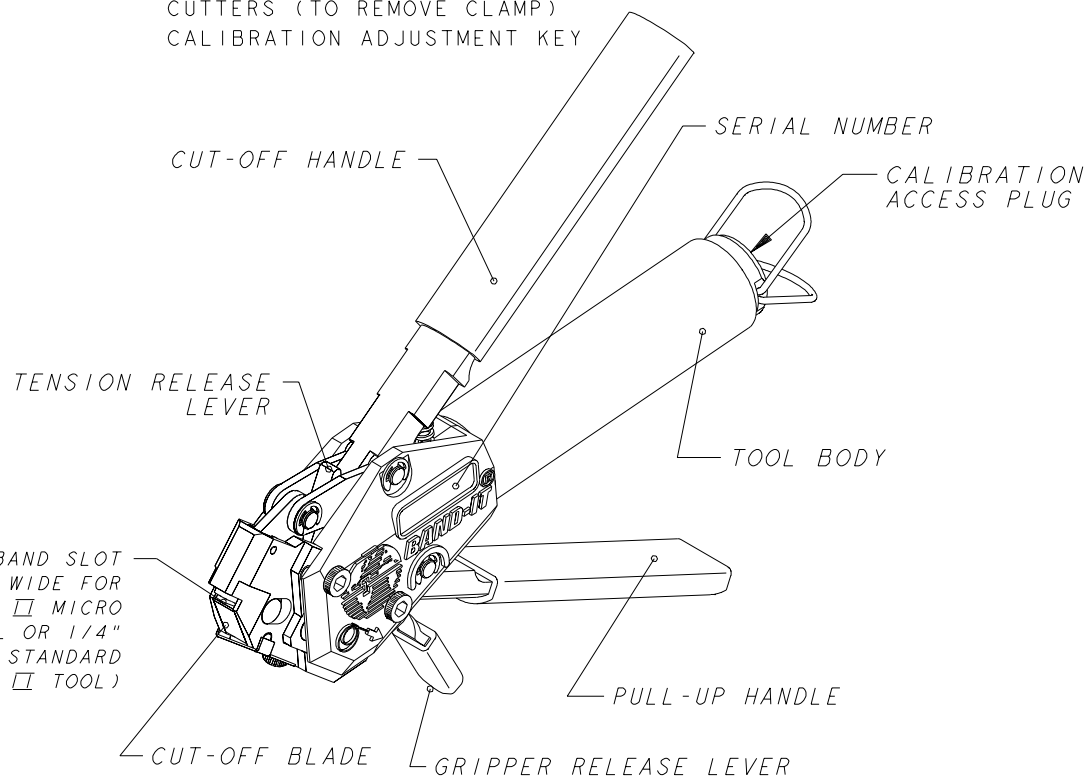
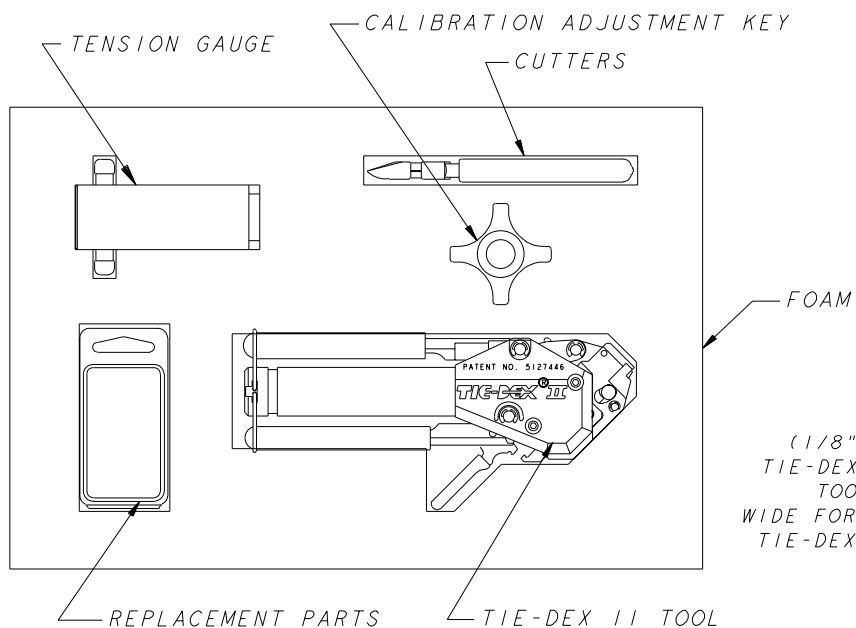
TOOL IDENTIFICATION

PAGE 1

KIT CONTAINS THE FOLLOWING ITEMS:

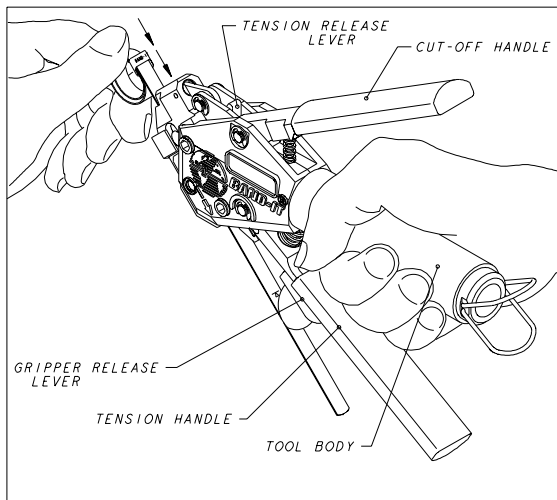
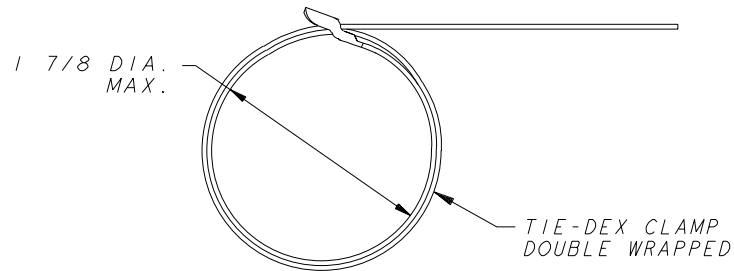
- TIE-DEX® □ TOOL (BLUE BODY) OR
- TIE-DEX® □ MICRO TOOL (BRIGHT NICKEL PLATING)
- TENSION GAUGE
- REPLACEMENT CUT-OFF BLADE
- REPLACEMENT MOUNTING PIN FOR CUT-OFF BLADE
- CUTTERS (TO REMOVE CLAMP)
- CALIBRATION ADJUSTMENT KEY

OPERATORS MANUAL TIE-DEX® □ TOOL KIT

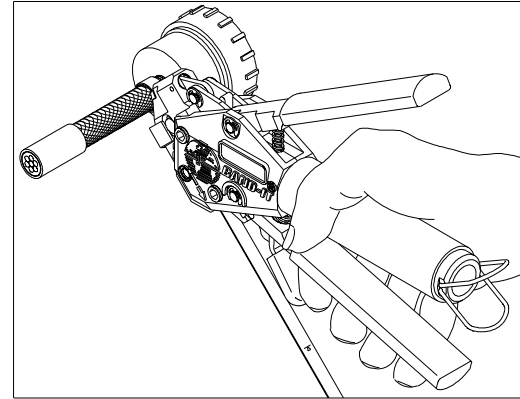


1. CREATE DOUBLE WRAPPED CLAMP BY FEEDING END OF BAND THROUGH NARROW SLOT ON BUCKLE TWICE. PULL ON CLAMP TAIL BY HAND TO REDUCE LOOP DIAMETER FOR FASTER INSTALLATION ON SMALL OBJECTS. SQUEEZE GRIPPER RELEASE LEVER AND INSERT BAND AS FAR POSSIBLE.

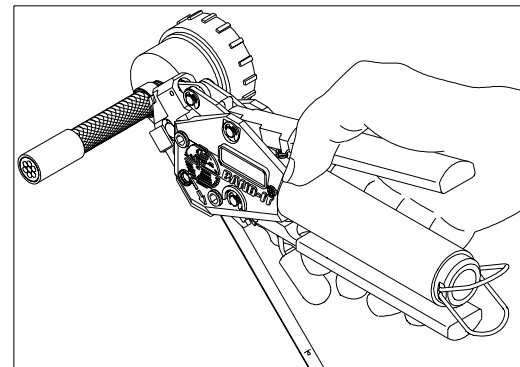
CAUTION: DO NOT USE BAND SINGLE WRAPPED!



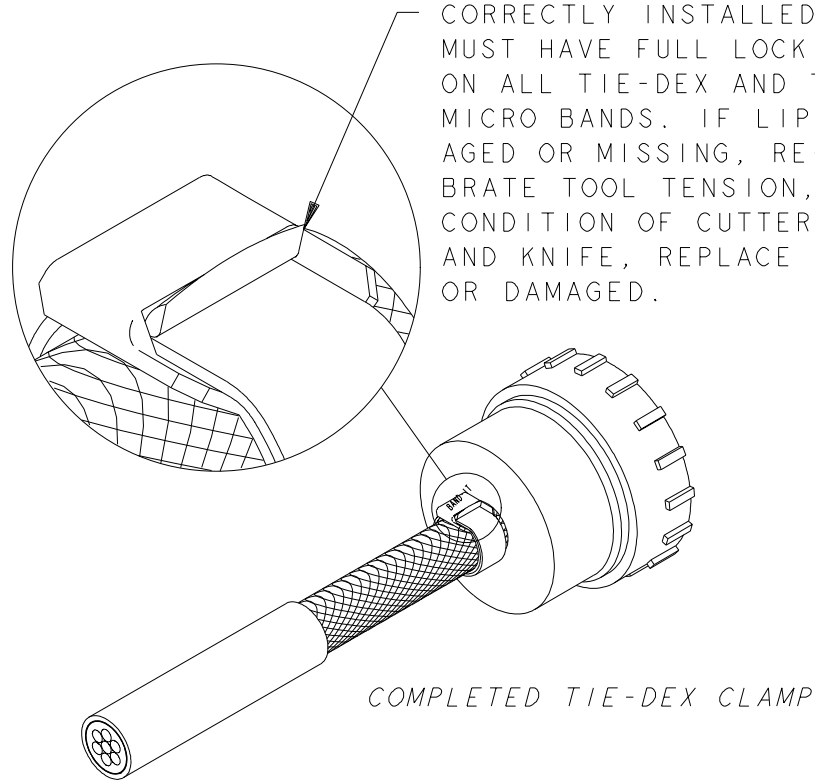
2. REPEATEDLY SQUEEZE PULL-UP HANDLE UNTIL HANDLE LOCKS AGAINST TOOL BODY. ALWAYS ALLOW PULL-UP HANDLE TO RETURN TO ITS ORIGINAL POSITION AFTER EACH STROKE. CORRECT TENSION IS REACHED WHEN PULL-UP HANDLE LOCKS AGAINST TOOL BODY.



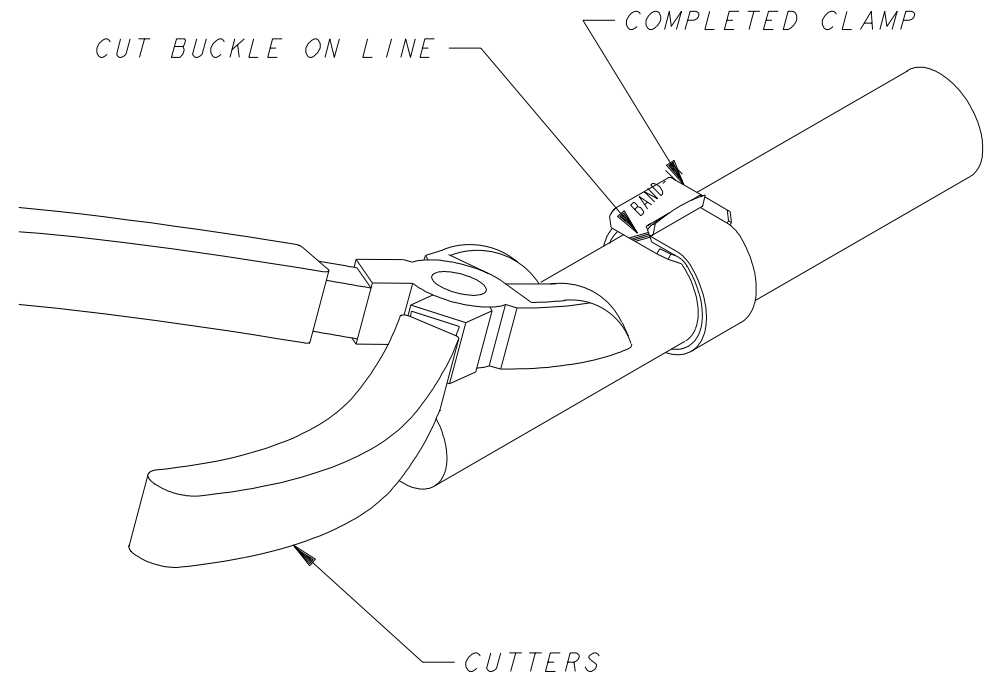
3. SQUEEZE CUT-OFF HANDLE ONCE AGAINST TOOL BODY TO FORM LOCK AND TRIM EXCESS BAND. TENSION HANDLE WILL RELEASE. REMOVE BAND FROM TOOL.



CORRECTLY INSTALLED CLAMP MUST HAVE FULL LOCKING LIP ON ALL TIE-DEX AND TIE-DEX MICRO BANDS. IF LIP IS DAMAGED OR MISSING, RE-CALIBRATE TOOL TENSION, CHECK CONDITION OF CUTTER BLADE AND KNIFE, REPLACE IF WORN OR DAMAGED.



SLIP CUTTERS UNDER BUCKLE AND CUT ONE SIDE OF BUCKLE ON LINE SHOWN IN FIGURE BELOW. PEEL BUCKLE OPEN TO FREE LIP LOCK.



4. TO LOOSEN OR REMOVE CLAMP BEFORE LOCKING AND CUT-OFF, SQUEEZE GRIPPER RELEASE LEVER ON TOOL AND PULL BAND OUT.
5. TO LOOSEN OR REMOVE CLAMP AFTER PULL-UP HANDLE LOCKS AGAINST TOOL BODY, SQUEEZE HANDLES TOGETHER AND PUSH TENSION RELEASE LEVER FORWARD, LET TENSION HANDLE RETURN TO ITS ORIGINAL POSITION THEN USE GRIPPER RELEASE LEVER AND PULL BAND OUT.
6. COMPLETED CLAMP MAY BE COVERED WITH SHRINK WRAP OR TAPE FOR PROTECTION.

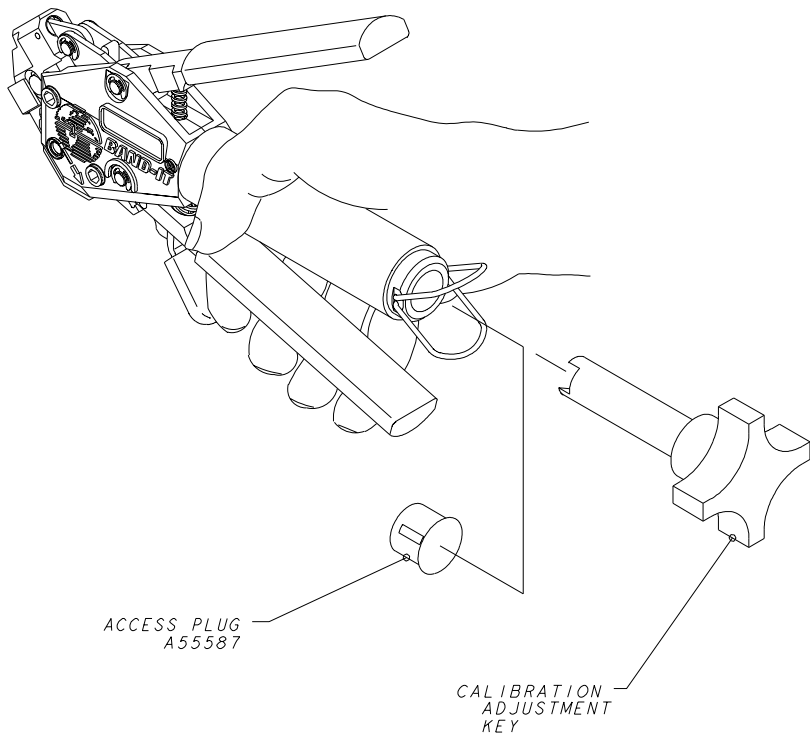
ADJUSTING TOOL TENSION

**** ADJUST TOOL TENSION ONLY IF TOOL IS OUT OF CALIBRATION...!

REMOVE ACCESS PLUG. INSERT CALIBRATION KEY INTO BACK OF TOOL AND TURN CLOCKWISE TO INCREASE OR COUNTERCLOCKWISE TO DECREASE TENSION.

ONE TURN = 7 LBS. APPROX.

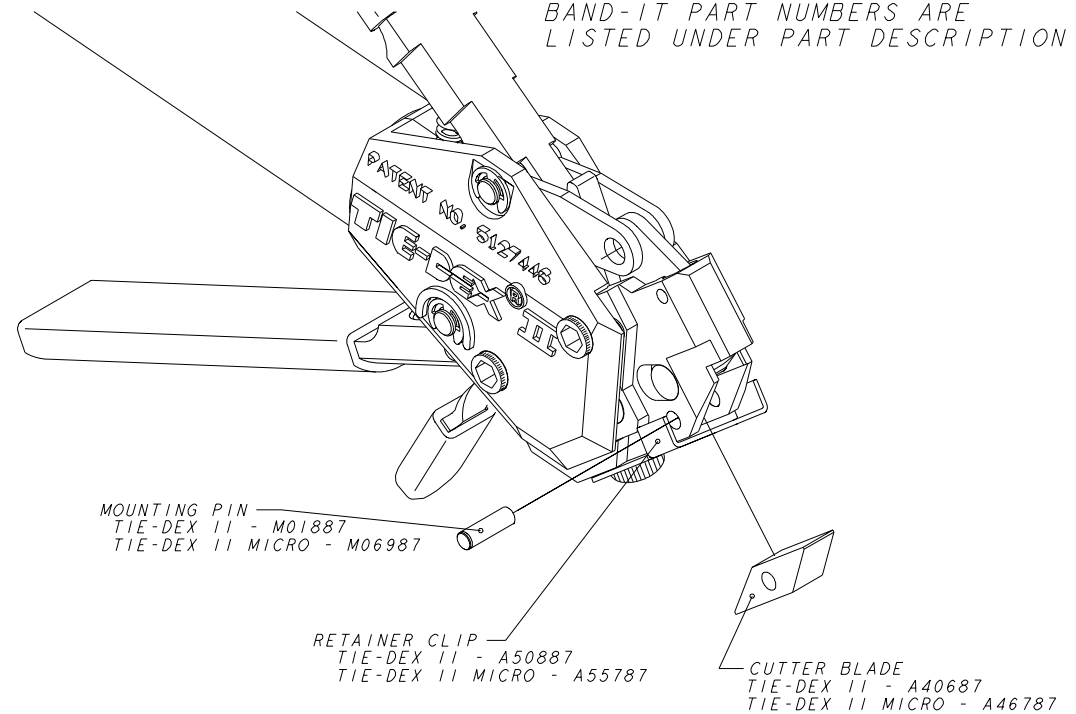
VERIFY SETTING BY RE-CHECKING TENSION AS STATED ON PREVIOUS PAGE. RE-INSTALL ACCESS PLUG.



REPLACING CUTTER BLADE

PAGE 5

BAND-IT PART NUMBERS ARE LISTED UNDER PART DESCRIPTION



BEND RETAINER CLIP DOWNWARD AND REMOVE MOUNTING PIN TO FREE OLD CUTTER BLADE. ASSEMBLE NEW CUTTER BLADE AS SHOWN. CUTTER BLADE IS REVERSIBLE, WITH TWO CUTTING EDGES.

CUTTER BLADE AND MOUNTING PIN ARE PROVIDED WITH KIT AS REPLACEMENT PARTS.

Many BAND-IT products shown herein are manufactured under one or more of the following U.S. and corresponding foreign patents owned by BAND-IT-IDEX, INC., A Unit of IDEX Corporation.

BAND-IT and Tie-Dex are registered trademarks owned by BAND-IT-IDEX, INC., A Unit of IDEX Corporation.

BAND-IT trademarks are registered in the U.S. Patent and Trademark Office and in many other countries.

4,570,340	4,473,925	4,510,977
4,877,334	4,607,867	4,646,591
5,123,456	4,896,402	4,928,738
	5,127,446	5,129,350

PAGE 6

*DIRECT INQUIRIES OR QUESTIONS ON THIS TOOL KIT
TO BAND-IT IN DENVER COLORADO.
TOOL FREE NUMBER 1-800-525-0758*

BAND-IT[®]

BAND-IT - IDEX, INC.
A Unit of IDEX Corporation
P.O. Box 16307
Denver, Colorado 80216-0307 U.S.A.
Ph: 1-800-525-0758
info@band-it-idex.com / www.band-it-idex.com

IDEX
IDEX CORPORATION
