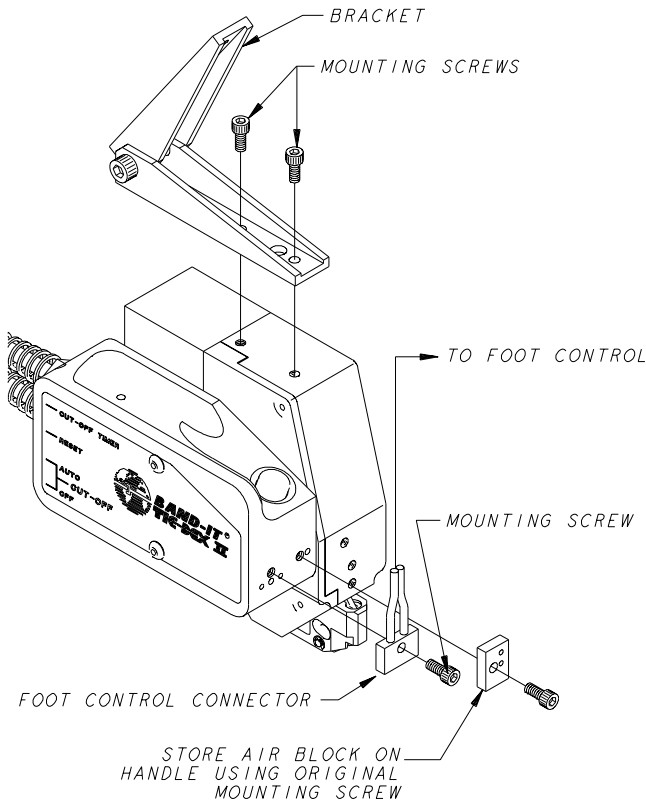


# A370 FOOT CONTROL / BENCH MOUNT KIT

FOR ALL TOOL MODELS

1. DISCONNECT TOOL FROM AIR SUPPLY.
2. MOUNT BRACKET TO TOOL AS SHOWN.
3. REMOVE AIR BLOCK FROM FRONT OF HANDLE AND STORE USING SECOND SET OF MOUNTING HOLES.
4. ATTACH FOOT CONTROL CONNECTOR USING MOUNTING SCREW.
5. MOUNT BRACKET TO TOP SURFACE OF TOOL USING 2 SOCKET HEAD SCREWS. USE SMALLER HOLES IN BRACKET
6. MOUNT OTHER LEG OF BRACKET TO BENCH USING LARGER HOLES.
7. ADJUST ANGLE OF TOOL TO DESIRED POSITION AND TIGHTEN BOLT BETWEEN BRACKETS.



SET-UP  
SOME POSSIBLE WAYS TO MOUNT  
TOOL TO WORK BENCH



UNDER BENCH  
BRACKET MUST BE REVERSED FOR THIS SET-UP.  
IF CONTROLLER BOX IS MOUNTED TO EDGE OF WORK BENCH,  
THIS CONFIGURATION WILL LEAVE TOP OF BENCH SPACE FREE.  
PLACE WASTE CONTAINER UNDER TOOL TO COLLECT EXCESS  
BAND.