

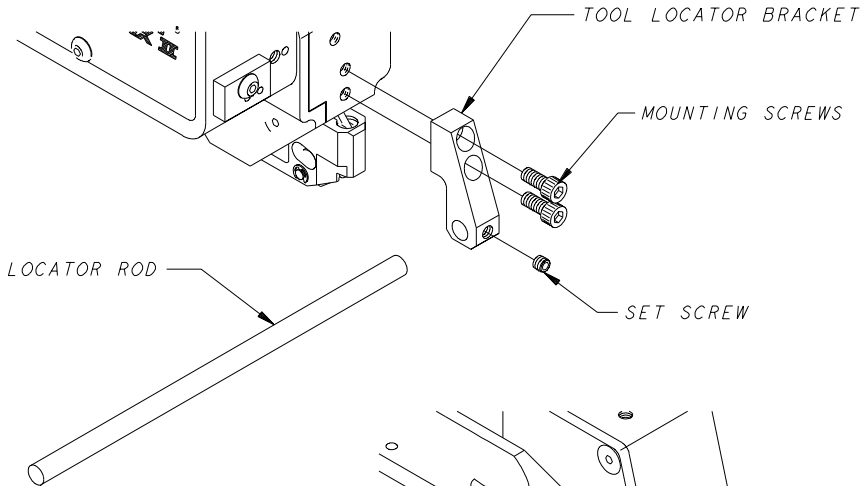
A320

TOOL LOCATOR INSTALLATION AND SET-UP

LOCATES CLAMP FROM A REFERENCE SURFACE IN PRODUCTION ENVIRONMENT (ALL TOOL MODELS).

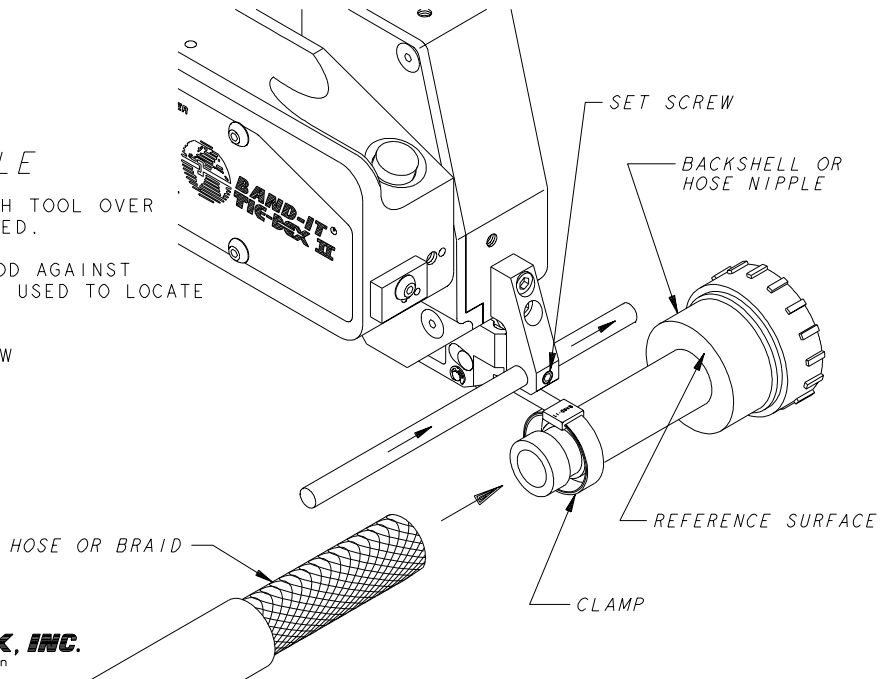
1. MOUNT TOOL LOCATOR BRACKET TO TOOL AS SHOWN BELOW. INSERT LOCATOR ROD AND SET SREW INTO BRACKET.
2. ADJUST LOCATOR ROD TO DESIRED POSITION AND TIGHTEN SET SCREW.

INSTALLATION



SET-UP EXAMPLE

1. LOCATE CLAMP WITH TOOL OVER AREA TO BE CLAMPED.
2. LINE UP TIP OF ROD AGAINST REFERENCE SURFACE USED TO LOCATE FROM.
3. TIGHTEN SET SCREW



BAND-IT-IBEX, INC.

A Unit of IDEX Corporation
P.O. Box 16307
Denver, Colorado 80216-0307 USA
1-188-525-0758
info@band-it-ibex.com
www.band-it-ibex.com

P35009-